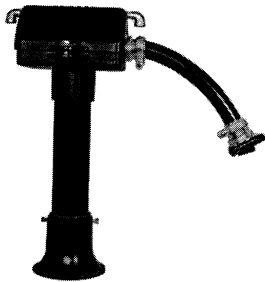


Pedestal Mounted Terminal Housings



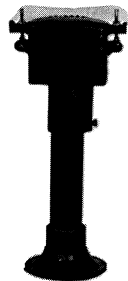
Type 1143

Western-Cullen-Hayes pedestal mounted terminal housings are available in a variety of sizes.



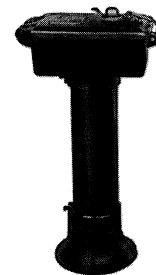
Type 1183

Terminal housings used for cable connections, arrestors, resistors, transformers, etc.



Type 1155

Wood terminal boards are available for equipment mounting.



Type 1233

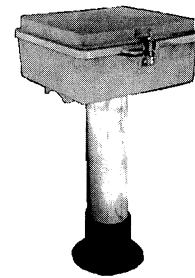
Available in a variety of configurations of terminal and cable entrances.



Type 1182

Housing descriptions, dimensions and some typical layouts found on the following pages.

All terminal housings made of cast iron except type 1236 which is cast aluminum.

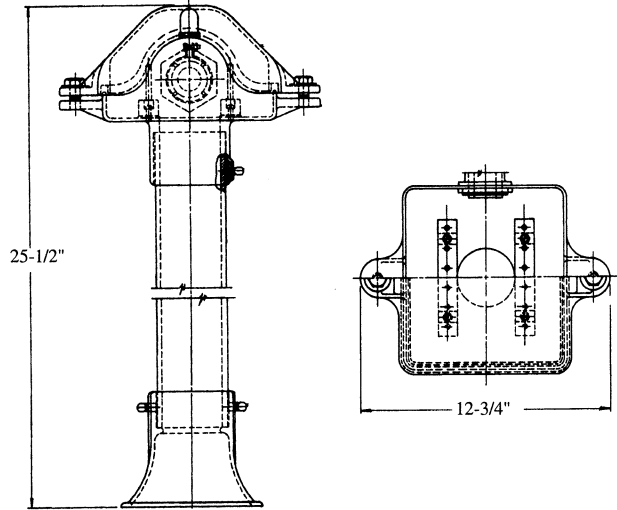


Type 1236

Ordering Information

1. Select housing.
2. Specify terminal requirements. Terminals described on page 12-1.
3. Specify cable entrances required via illustrations on page 10.
4. Specify connectors and conduit. See page 8.
5. Specify ventilators and outlets.

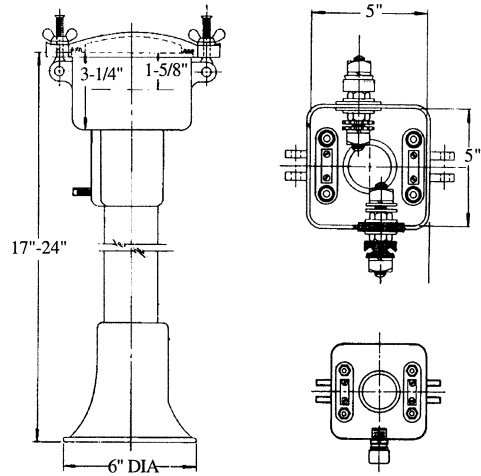
Type 1143 Terminal Housing



Type 1143 terminal housing is made of cast iron and has a rounded top cover and is furnished with two 6-post terminal strips and one 1-1/4" I.D. x 14" long rubber hose connection with cover plate for specified switch circuit controller.

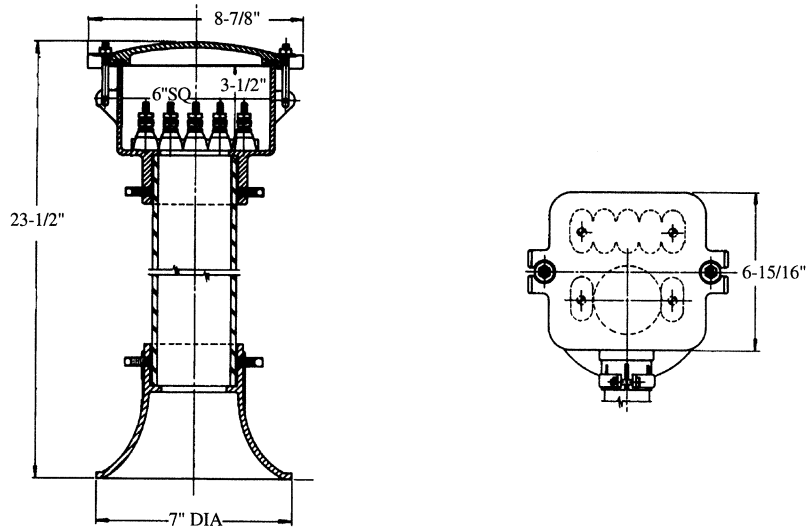
It may also be equipped, as required, for use with switch machines and other similar apparatus.

Type 1155 Terminal Housing and Bootleg



Type 1155 terminal housing is made of cast iron and can hold as many as four terminals which may be installed in the head casting. Different types of connectors and bushings can be used. Standard height, 17" overall; riser, 2" I.D.; head 5" sq. by 3-1/4" deep. A riser is also available to provide 24" overall height, if specified.

Type 1182 Terminal Housing



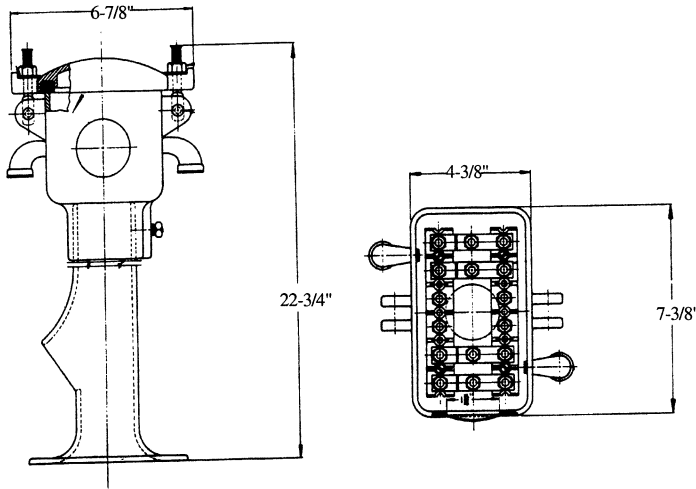
Type 1182 terminal housing is made of cast iron and has the riser offset leaving mounting space for more terminals in the box.

WESTERN-CULLEN-HAYES, INC.

2700 W. 36TH PLACE
(773) 254-9600

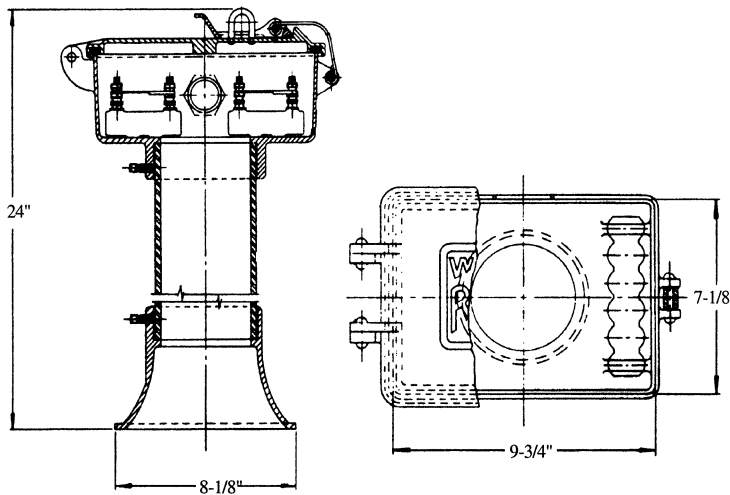
CHICAGO, IL. 60632
FAX (773) 254-1110

Type 1183 Terminal Housing



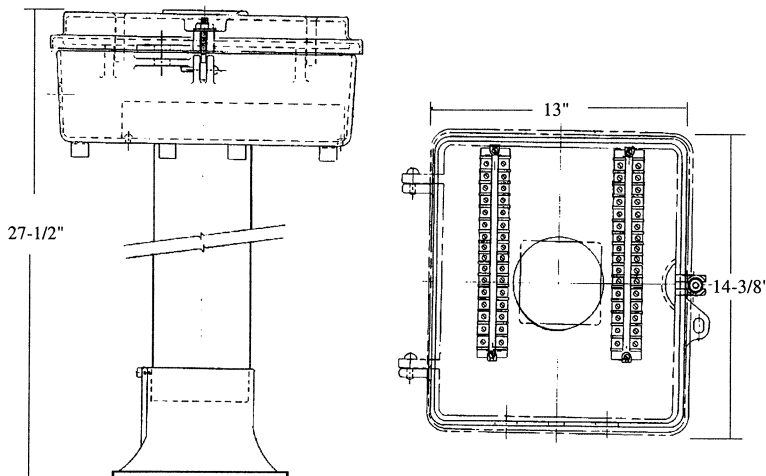
Type 1183 terminal housing is made of cast iron and can hold as many as four terminals which may be installed in the head casting. Different types of connectors and bushings can be used. Standard height, 22-3/4" overall; riser, 2" I.D.; head 4-3/8" x 7-3/8" x 3-3/4" deep.

Type 1233 Terminal Housing



Type 1233 terminal housing consists of a terminal box 9-3/8" x 6-3/4" x 3-5/8" deep in which as many as 24 binding posts can be provided. Cast iron construction.

Type 1236 Terminal Housing



Cast aluminum construction. One of the largest terminal housings available. Inside dimensions measure 13-1/4" x 11-3/4" and is 4" deep. 4" I.D. riser provided.