

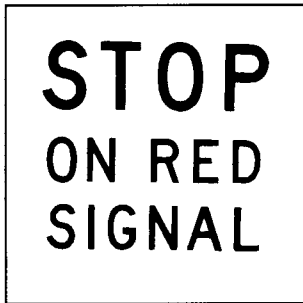
Signs for use with Grade Crossing Signals



3380-710
Reference A



3368-710-C
Reference F



3366-780
Reference I



3394-711
Reference R



SE-1781
Reference L



3385-100
Reference Q

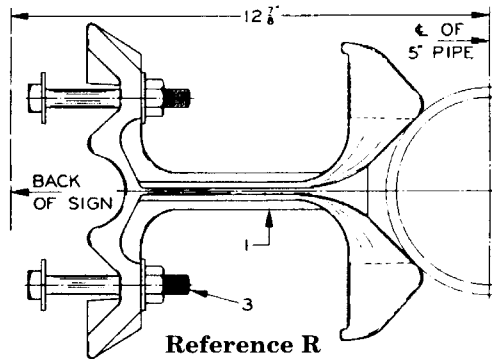
Signs for use with Crossing Signals

Reference	Reflective Sheeting	Description	Part No.
A	Engineering	Railroad Crossing	3380-710
A-1 (not shown)	Engineering	Railroad Crossing with 2" stripe on back	3380-750
A-2 (not shown)	Engineering	Railroad Crossing double sided	3380-810
A-3 (not shown)	High-Intensity	Railroad Crossing	3380-770
A-4 (not shown)	High-Intensity	Railroad Crossing with 5" stripe on back	3380-780
A-5 (not shown)	High-Intensity	Railroad Crossing double sided	3380-790
A-6 (not shown)	High-Intensity	Canadian Crossing	3252-720
B (not shown)	(specify sign)	Railroad Crossing with 4" mounting kit	3380-xxx-711-4
C (not shown)	(specify sign)	Railroad Crossing with 5" mounting kit	3380-xxx-811-5
D (not shown)	(specify sign)	Mounting kit only for Railroad Crossing on 4" mast	3380-711-4
E (not shown)	(specify sign)	Mounting kit only for Railroad Crossing on 5" mast	3380-811-5
F	Engineering	Number of Tracks Specify Number	3368-710-C
F-1 (not shown)	High-Intensity	Number of Tracks Specify Number	3368-770-C
G (not shown)	(specify sign)	Number of Tracks with 4" mounting kit	3368-xxx-711-4
H (not shown)	(specify sign)	Number of Tracks with 5" mounting kit	3368-xxx-C-811-5
I	Engineering	Stop on Red Signal	3366-780
I-1 (not shown)	High-Intensity	Stop on Red Signal	3366-770
J (not shown)	(specify sign)	Stop on Red Signal with 4" mounting kit	3366-xxx-711-4
K (not shown)	(specify sign)	Stop on Red Signal with 5" mounting kit	3366-xxx-811-5
L	Engineering	Do Not Stop On Tracks	SE 1781
M (not shown)	Engineering	Do Not Stop On Tracks with 4" mounting kit	1781-711-4
N (not shown)	Engineering	Do Not Stop On Tracks with 5" mounting kit	1781-811-5
O (not shown)	(specify sign)	Mounting kit only for signs F, I, and L on 4" mast	3366-711-4
P (not shown)	(specify sign)	Mounting kit only for signs F, I, and L on 5" mast	3366-811-5
Q	Engineering	No Clearance	3385-100
R	Engineering	Advanced Warning	3394-711

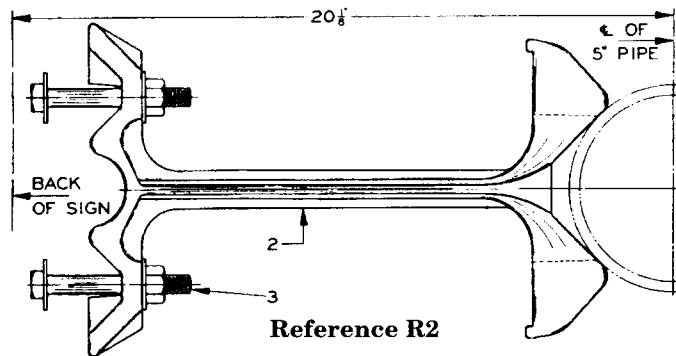
WESTERN-CULLEN-HAYES, INC.

2700 W. 36TH PLACE CHICAGO, IL. 60632
 (773) 254-9600 FAX (773) 254-1110

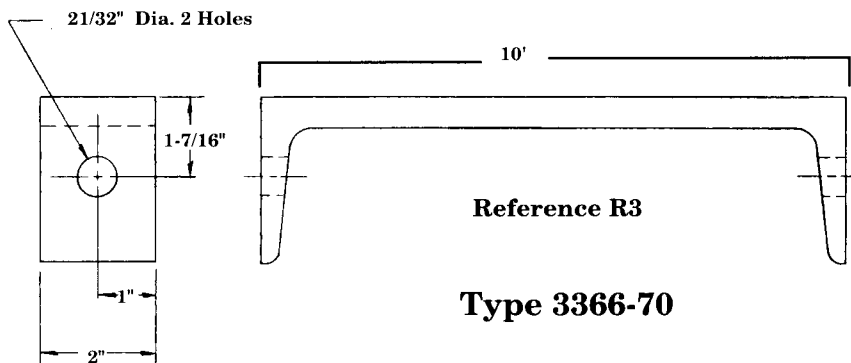
Extension Brackets for Crossing Signs



Type 3366-40



Type 3366-140



Type 3366-70

Ref. No.	Description	Part No.
R	Type 3366-40 extension bracket (cast aluminum) complete with bolts, nuts and washers	3366-A-40
R2	Type 3366-140 extension bracket (cast aluminum) complete with bolts, nuts and washers; use with wooden gates over 39'	3366-A-140
R3	Type 3366-70 extension channel, standard extension provided with all mounting kits for 5" mast	3366-70
1	Extension bracket, aluminum casting only	3366-A-41
2	Extension bracket, aluminum casting only	3366-A-141
3	Machine bolt, 1/2" - 13 x 4" square head bolt, with hex nut and 2 plain washers	3366-44

WESTERN-CULLEN-HAYES, INC.

2700 W. 36TH PLACE CHICAGO, IL. 60632
(773) 254-9600 FAX (773) 254-1110