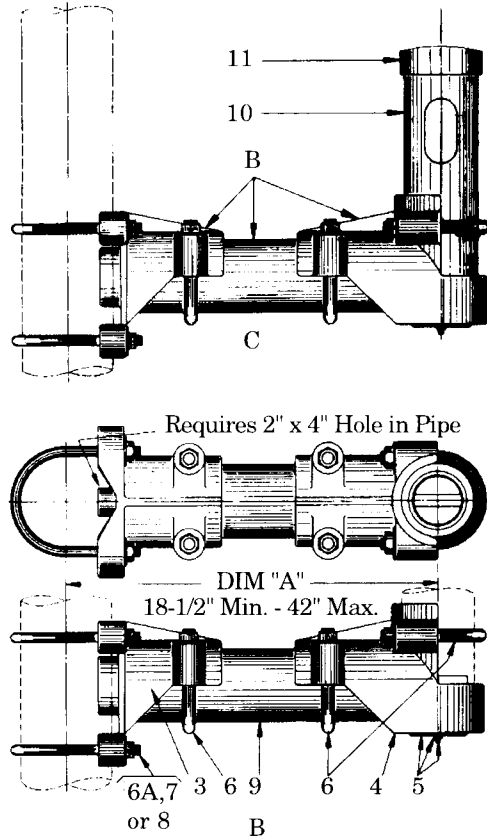
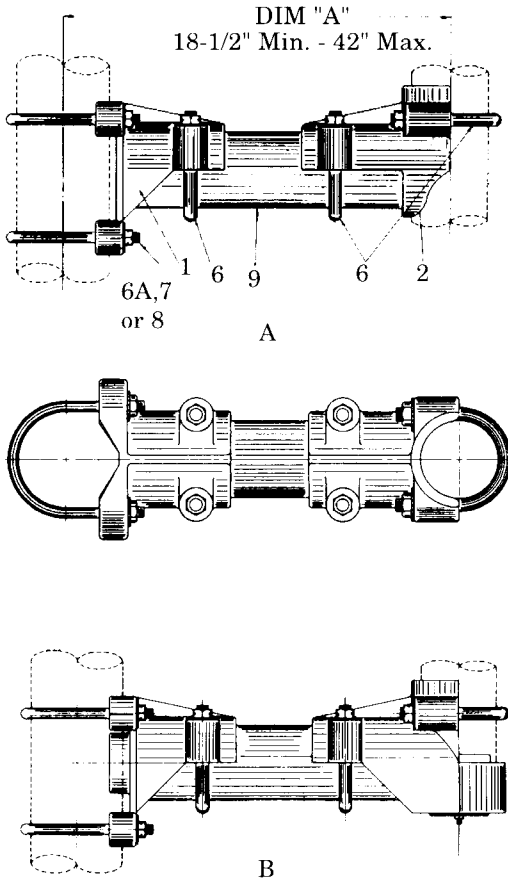


Offset and Surface Mounted Lamp Supporting Brackets



For mounting Crossing Signal Light Units with standard junction box crossarms at one side of the mast, as necessitated by obstructions to the view, or for mounting extra light units for warnings along side-roads etc.

Type 3565-267 Supporting Bracket consists of castings and a length of 4" I.D. pipe which may be varied in length to provide an offset of the dowel mast of

18-1/2" minimum, up to 42" maximum. The inner bracket, with appropriate "U" Bolts, will fit a 4" or 5" mast. Also available for surface mounting of crossing signals.

Either one-way or two-way indication light assemblies may be mounted on the dowel masts which can be turned in the socket to any desired angle.

WESTERN-CULLEN-HAYES, INC.

2700 W. 36TH PLACE
(773) 254-9600

CHICAGO, IL. 60632
FAX (773) 254-1110

Offset and Surface Mounted Lamp Supporting Brackets

Reference	Description	Part No.
A	Upper Supporting Bracket Assembly (Specify Dimension "A" in inches)	3565-165
B	Lower Supporting Bracket Assembly (Specify Dimension "A" in inches)	3565-167
C	Supporting Bracket and Dowel Mast Assembly (Specify Dimension "A" in inches). Specify 4" or 5" mast or surface mount	3565-267
D	Dual Support Surface Mounted Bracket and Mast Assembly for Signals, Signs, and Bell. Includes Ref. A, B and 72" Dowel Mast (not shown)	3565-268
REPLACEMENT PARTS		
1	Inner Support Without Wire Access	3565-A-169
2	Outer Support, Mid Mast	3565-A-164
3	Inner Support With Wire Access	3565-A-168
4	Outer Support, Bottom of Mast	3565-A-166
5	Wire Opening Cover and Clamp Sub-Assembly	3565-162-A
6	"U" Bolt for 4" I.D. Pipe	3565-163-X
6A	"U" Bolt for 4" I.D. Mast	3364-2-X
7	"U" Bolt for 5" I.D. Mast	1264-5-X
8	"U" Bolt for 6" I.D. Mast	1264-6-X
9	Pipe, 4" I.D. (Length as Required)	
10	Dowel Mast, 4" I.D. x 14" Long (May be turned in socket to any angle)	714-8
11	Pinnacle	110-A-6