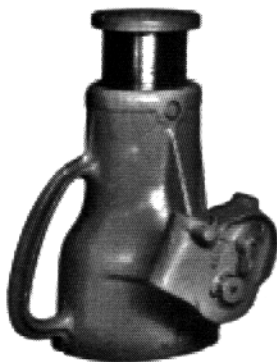


## Journal Jacks

Western-Cullen-Hayes manufactures a complete line of mechanical screw type journal jacks for railroad and industrial use. Our journal jacks feature a low profile, high capacity design that will give years of service.

- Each jack is equipped with roller bearings to ensure smooth operation.
- Ratchet Lever socket permits short operating strokes.
- Gear reduction multiplies lifting effort, and affords accurate control.
- Pitch of the threads and free action movement at the screw give maximum lift per turn yet allows easy, smooth turning; less effort is required to lift the load.
- Ratchet mechanisms are fully enclosed and protected from dust and dirt.
- Screw mechanisms are packed in grease and sealed against dirt, requiring no regular maintenance.
- "Postop" feature prevents ram from being extended beyond safe operating limits.
- Jack may be operated in any position.

Model	Part	Capacity (Rated) Tons	Height Closed Inches	Lift Inches	Base Diameter Inches	Ram Diameter Inches	Head Diameter Inches	Overall Width Inches	Jack Weight Pounds	Lever Bar Inches	Lever Bar Weight Pounds
2510	J-5482	25	10	5-1/2	5	2-1/2	3-1/4	9-1/2	36	1 x 38	9
3510	J-5499	35	10	5-1/2	5-3/4	3-1/8	3-5/8	10	45	1 x 38	9
5010	J-1486	50	10	4	6-7/8	3-7/8	4-5/8	12	68	1-1/8 x 56	16
5012	J-1802	50	12	6	6-7/8	3-7/8	4-5/8	12	80	1-1/8 x 56	16



5012



5010



3510

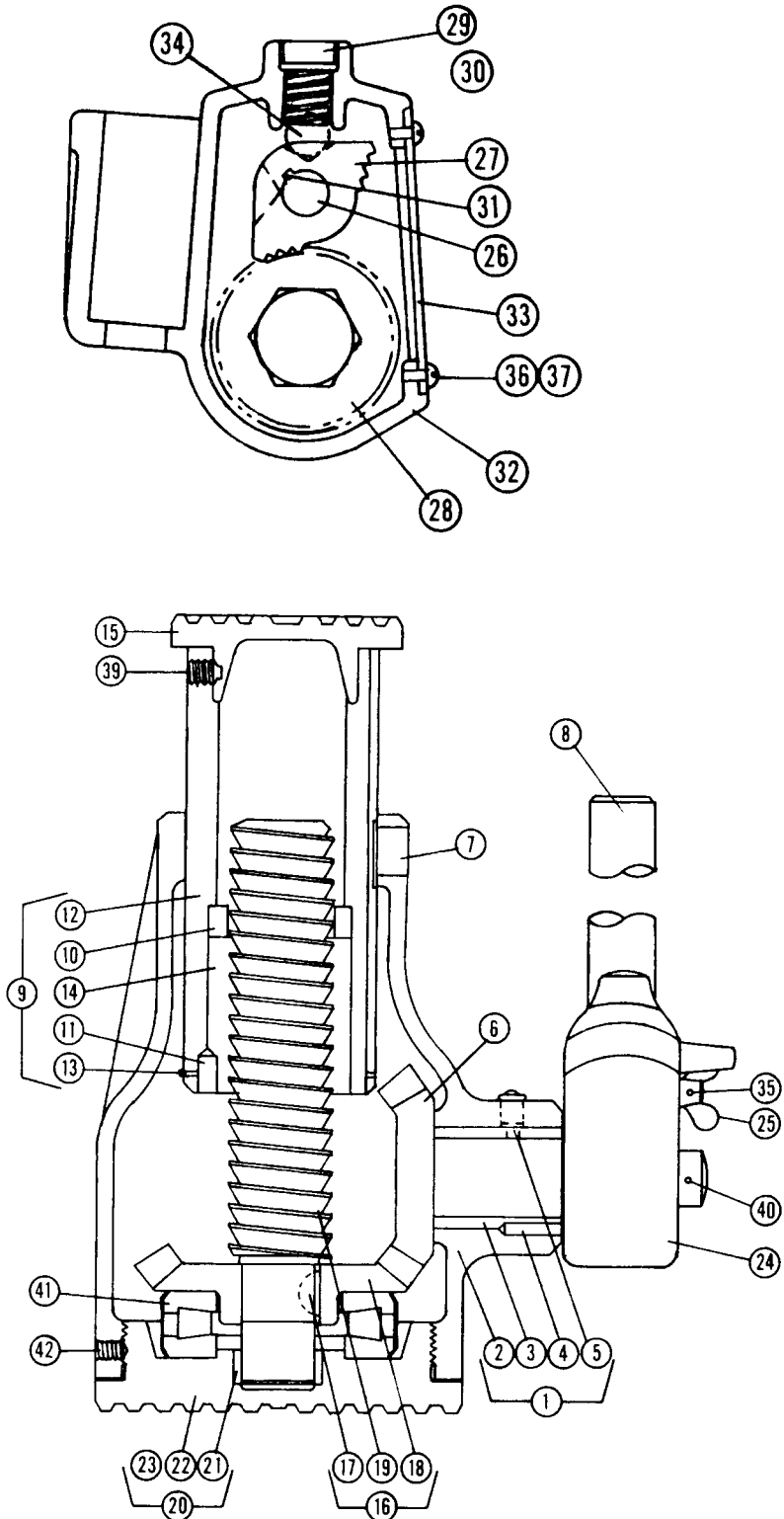


2510

**WESTERN-CULLEN-HAYES, INC.**

2700 W. 36TH PLACE CHICAGO, IL. 60632  
 (773) 254-9600 FAX (773) 254-1110

25, 35 and 50 Ton Journal Jacks - Parts Listing



**WESTERN-CULLEN-HAYES, INC.**

2700 W. 36TH PLACE CHICAGO, IL. 60632  
 (773) 254-9600 FAX (773) 254-1110



## 25, 35 and 50 Ton Journal Jacks - Parts Listing

Model No.		2510	3510	5010	5012
Part No.		J-5482	J-5449	J-1802	J-1486
Ref.	Description	Part No.	Part No.	Part No.	Part No.
1	Shell Assembly	J-3501	J-4914	J-1403	J-320
2	Shell	J-3500	J-50-A	J-1399	J-80
3	Bushing, Stem Gear	J-72	J-63	J-90	J-90
4	Pin, Bushing	J-2346	J-2346	251741	251741
5	Oiler	250389	250389	250389	250389
6	Stem Gear	J-1665	J-4879	J-4881	J-4881
7	Key, Standard	J-2354	J-2354	J-4693	J-4693
8	Lever Bar	J-5300	J-5300	J-5302	J-5302
9	Standard Assembly	J-5370	J-5479	J-5447	J-5446
10	Nut Ring, Main Screw	J-68	J-55	NA	NA
11	Nut Pin, Main Screw	J-215	J-215	J-215	J-215
12	Standard	J-5368-R	J-5411	J-1400	J-83
14	Main Screw Nut	J-5375	J-5380	J-5381	J-5381
15	Cap	J-5371	J-5451	J-5461	J-5461
16	Main Screw Assembly	J-5383	J-5441	J-5443	J-5442
17	Key Main Screw Gear	J-845	J-845	117977	117977
18	Gear	J-1661-1	J-4880	J-4882	J-4882
19	Main Screw	J-5376	J-5393	J-5395	J-5396
20	Base Plate Assembly	J-5477	J-5452	J-1483-A	J-1483-A
21	Bushing	J-60	J-60	J-4020	J-4020
22	Base Plate	J-5372	J-5459	J-1483	J-1483
24	Socket Assembly	J-5592	J-5592	J-253	J-253
25	Wing Nut	J-97	J-97	J-149	J-149
26	Pawl Pin	J-98	J-98	J-256	J-256
27	Pawl	J-100	J-100	J-257	J-257
28	Ratchet	J-101	J-101	J-258	J-258
29	Screw, Ball Spring	J-102	J-102	J-102	J-102
30	Spring, Steel Ball	J-143	J-143	J-259	J-259
31	Key	J-144	J-144	J-260	J-260
32	Socket Lever	J-5513	J-5513	J-254	J-254
33	Socket Cover	J-5591	J-5591	NA	NA
34	Steel Ball	104922	104922	104922	104922
35	Pin, Wing Nut	251740	251740	251741	251741
36	#6 Lockwasher	SS-00-AF-3	SS-00-AF-3	NA	NA
37	6/32 x 1/4 Round Head	AA-10-AA-3-0025	AA-10-AA-3-0025	NA	NA
39	3/8 - 16 x 1/2 Set Screw	DD-12-GG-3-0037	DD-12-GG-3-0037	DD-28-JJ-3-005	DD-28-JJ-3-005
40	Cotter Pin Ratchet	VV-00-BB-3	VV-00-BB-3	VV-00-AJ-3-0125	VV-00-AJ-3-0125
41	Bearing	253477	253477	253727	253727
42	Base Plate Screw	DD-49-JJ-3-005	DD-40-JJ-3-005	DD-47-JJ-3-0063	DD-47-JJ-3-0063

**WESTERN-CULLEN-HAYES, INC.**

2700 W. 36TH PLACE CHICAGO, IL. 60632  
 (773) 254-9600 FAX (773) 254-1110