

Gate Lights



Type 1591



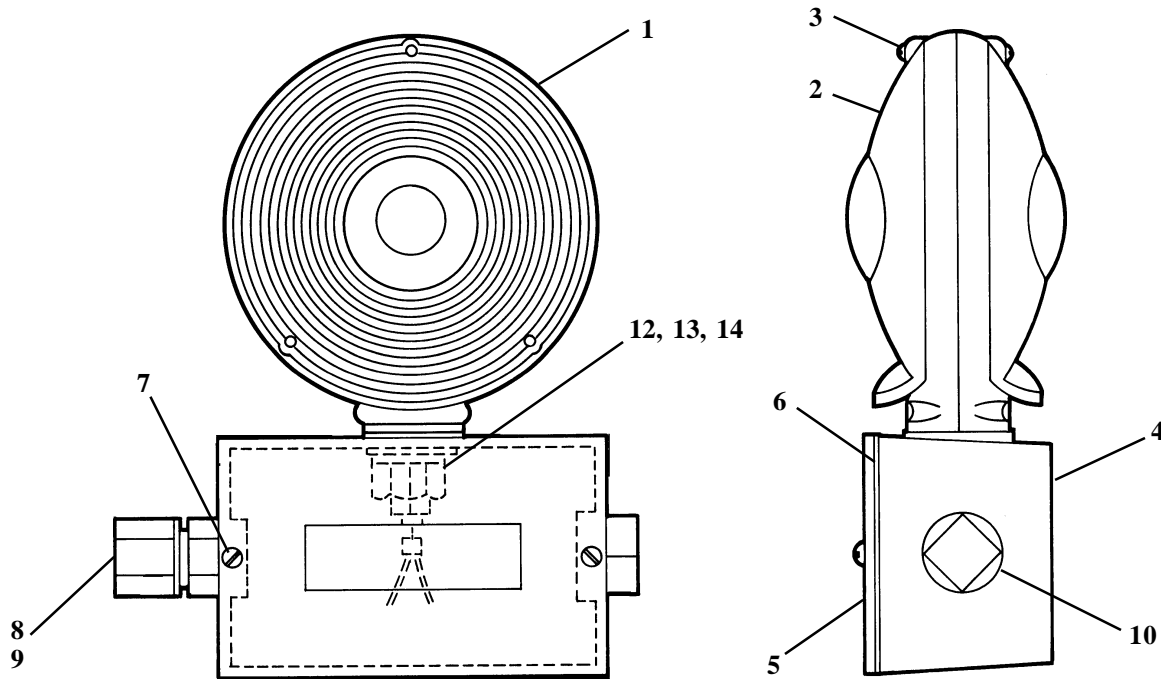
Type 1592

Western-Cullen-Hayes Gate Lights come in three distinct styles; , the Type 1591 with a 4-1/8" diameter red bullseye lens and the Type 1592 with a 7" diameter lens. All of our gate lights are a light weight design that use a S.C.C.B. style S-8 or S-11 lamp bulb with a 1-1/4" light center. Junction boxes and lenses are made of high-impact plastic. Cable grips of the appropriate diameter are provided with each light as is all nec-essary mounting hardware.

Description	Part Number
Set of three Type 1591 Gate Lights	1591-50
Set of three Type 1591 Gate Lights with LED Bulb	1591-50-L
Set of three Type 1592 Gate Lights	1592-50

Special application lights are also available, please inquire.

Type 1591 Gate Light

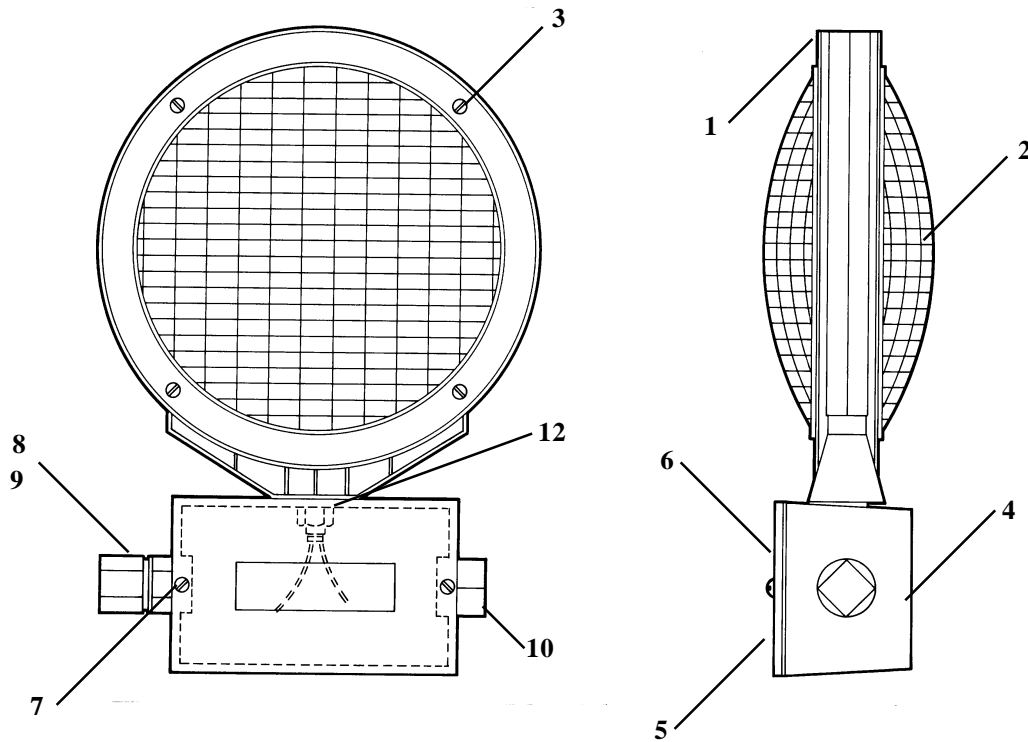


Reference No.	Description	Part No.
A	Tip Light (one cable grip, one hole plug) shown	1591-3
B	Mid and Butt Light (two cable grips)	1591-4
REPLACEMENT PARTS		
1	Light Head Assembly	90837
2	Lens Only	90837-1
3	6-32 x 3/4" Self Tapping Screw	90837-8
4	Light Junction Box	1591-30-M
5	Light Junction Box Cover	1591-31
6	Gasket	1591-32
7	8-32 x 1/2" Round Head Machine Screw	AA-10-BB-3-005
8	Male Connector	1590-35-A
9	Ferrule Nut	1590-35-B
10	Hole Plug	1590-9
11	Hardware Kit (not shown)	1590-25
12	7/16" Plain Washer	PP-00-AN-3
13	7/16" Lockwasher	RR-00-AN-3
14	7/16" Hex Nut	KK-12-MM-3

WESTERN-CULLEN-HAYES, INC.

2700 W. 36TH PLACE CHICAGO, IL. 60632
 (773) 254-9600 FAX (773) 254-1110

Type 1592 Gate Light



Reference No.	Description	Part No.
A	Tip Light (one cable grip, one hole plug) shown	1592-3
B	Mid and Butt Light (two cable grips)	1592-4
REPLACEMENT PARTS		
1	Light Frame and Socket	90847-2
2	Lens Only	90847-1
3	8-32 x 1/4" Round Head Machine Screw	AA-10-BB-3-0025
4	Light Junction Box	1591-30-M
5	Light Junction Box Cover	1591-31
6	Gasket	1591-32
7	8-32 x 1/2" Round Head Machine Screw	AA-10-BB-3-005
8	Male Connector	1590-35-A
9	Ferrule Nut	1590-35-B
10	Hole Plug	1590-9
12	7/16" Elastic Stop Nut	BC-12-MM-3
13	Hardware Kit (not shown)	1590-25

WESTERN-CULLEN-HAYES, INC.

2700 W. 36TH PLACE CHICAGO, IL. 60632
 (773) 254-9600 FAX (773) 254-1110