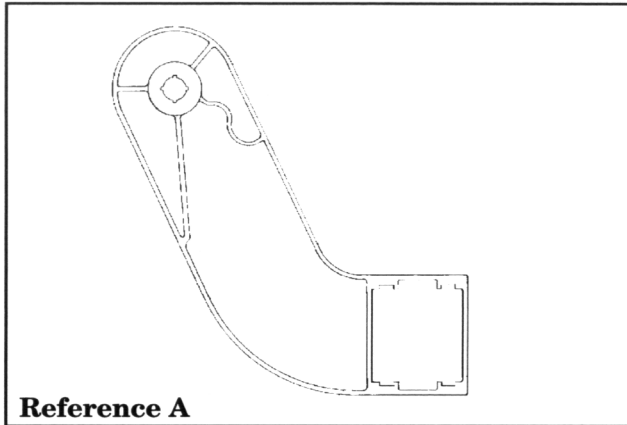
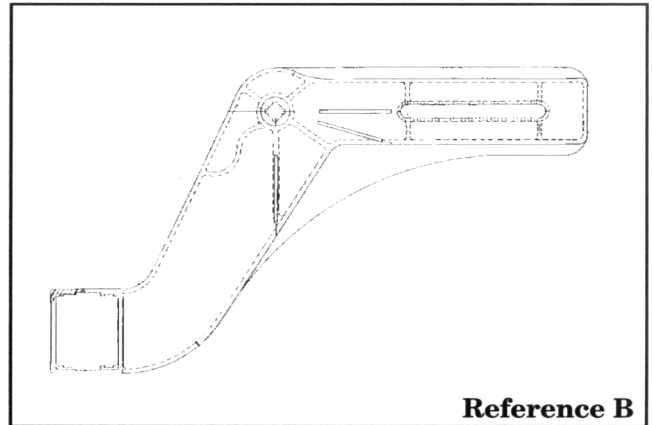


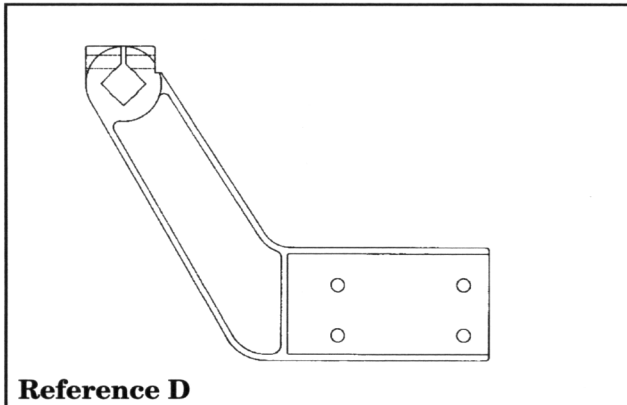
Gate and Counterweight Support Arms



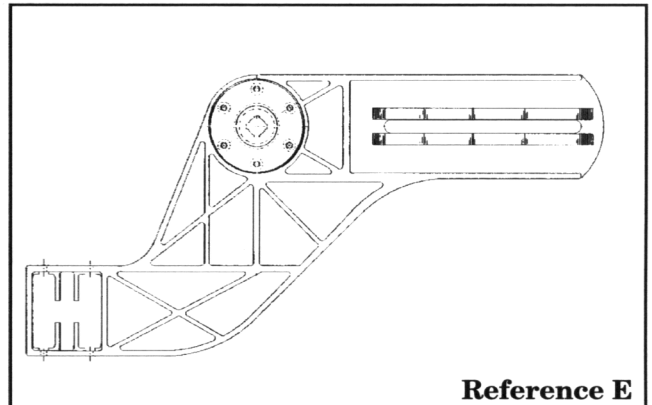
Reference A



Reference B



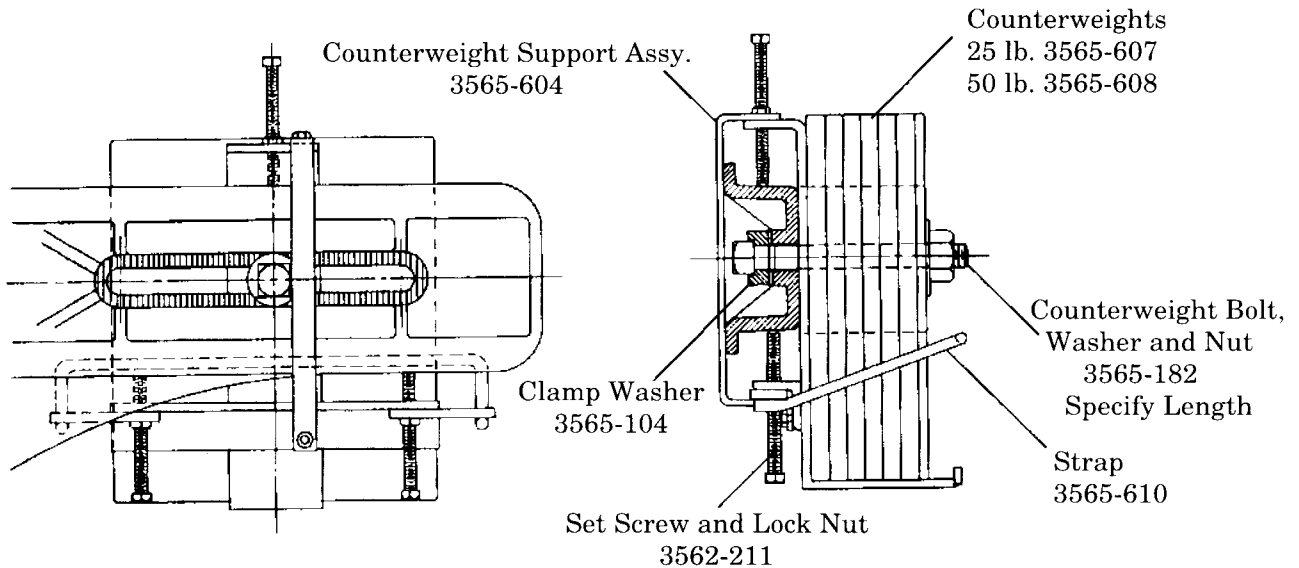
Reference D



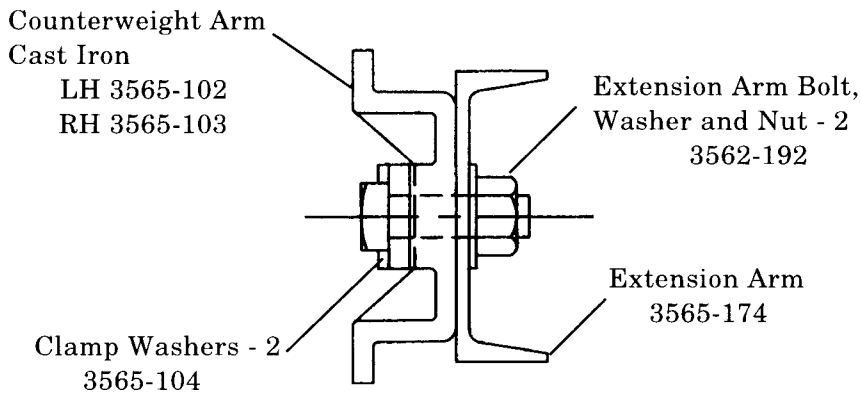
Reference E

Ref. No.	Description	Part No.
A	Gate Support Arm, left hand, cast iron, for roadway arm up to 24' .	3565-101
B	Counterweight arm, right hand, cast iron.	3565-103
C	Counterweight arm, left hand cast iron. (Not shown).	3565-102
D	Sidewalk gate arm support.	3565-111
E	Counterweight arm, right hand, aluminum.	3570-112
F	Counterweight arm, left hand, aluminum. (Not shown).	3570-113
G	Counterweight extension arm, steel for use with cast iron counterweight support arms and gates longer than 32'. (Not shown).	3565-174

Square Single Slot Counterweights on Cast Iron Counterweight Arms with Counterweight Support Assembly



Single Slot Counterweight Assembly

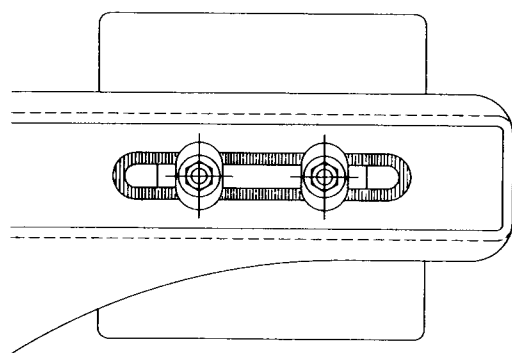
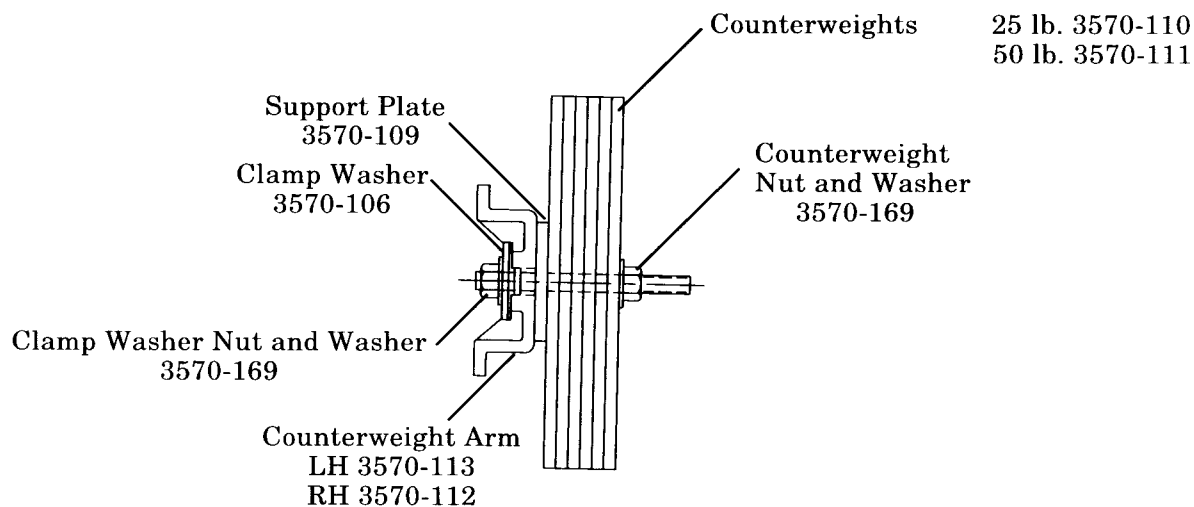


Single Slot Counterweight Assembly With Extension Arm For Use With Gate Arms Longer Than 32 Feet.

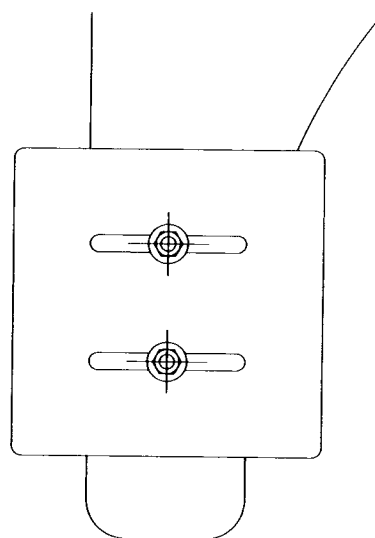
WESTERN-CULLEN-HAYES, INC.

2700 W. 36TH PLACE CHICAGO, IL. 60632
(773) 254-9600 FAX (773) 254-1110

Square Double Slot Counterweights on Aluminum Counterweight Arms



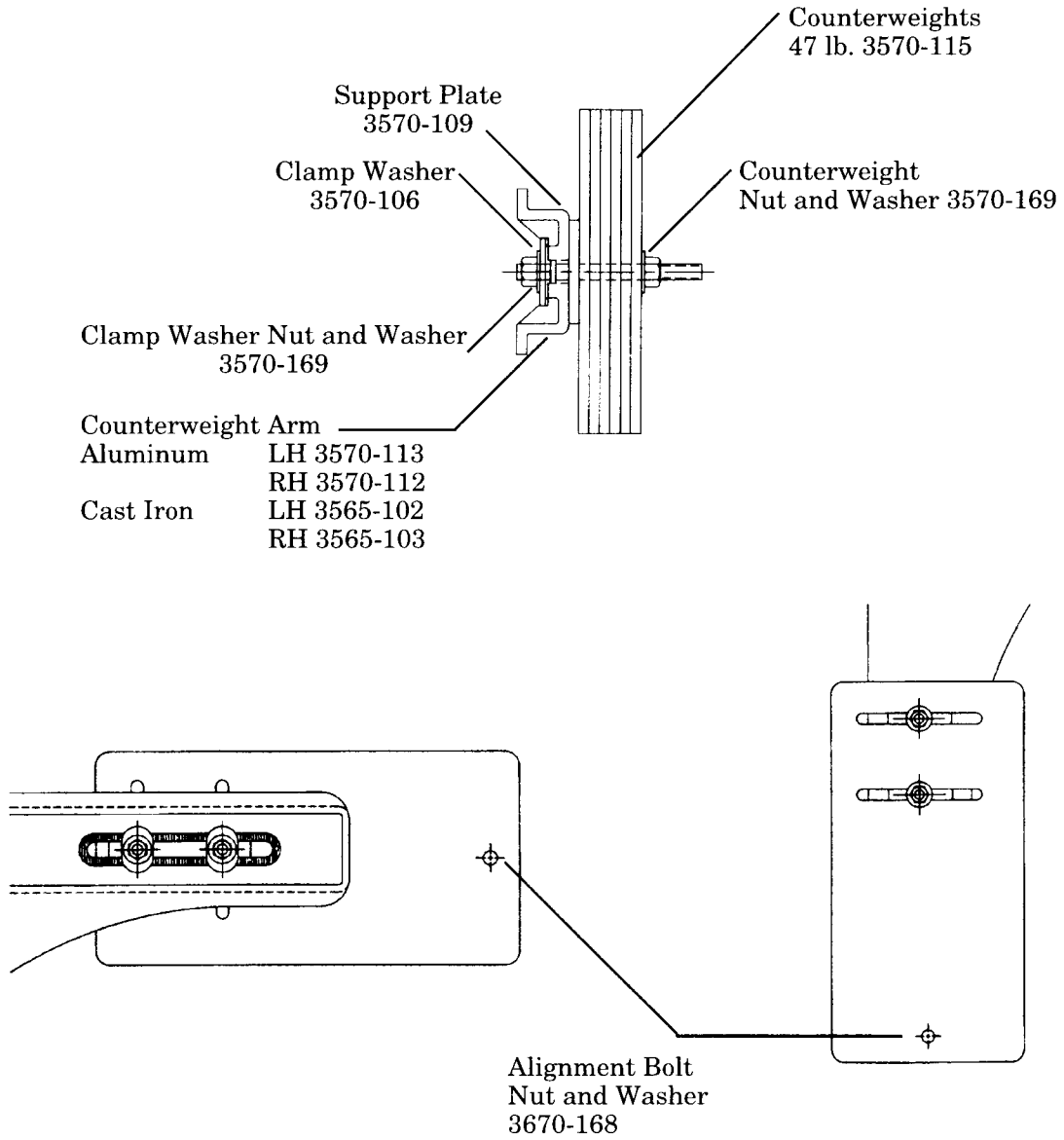
Inside View, Arm Horizontal



Outside view, Arm Vertical

Double Slot Counterweight Assembly

Oblong Counterweights on Cast Iron or Aluminum Counterweight Arms



Inside View, Arm Horizontal

Outside View, Arm Vertical

Oblong Counterweight Assembly

WESTERN-CULLEN-HAYES, INC.

2700 W. 36TH PLACE CHICAGO, IL. 60632
(773) 254-9600 FAX (773) 254-1110