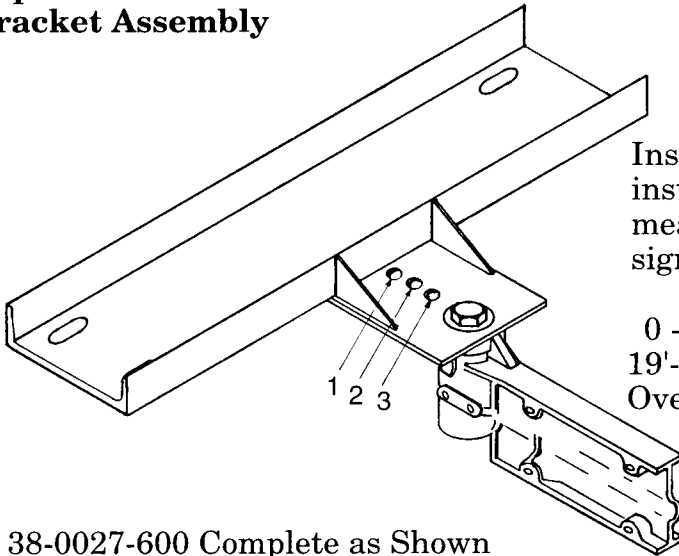


Pivot Type Breakaway Adapter

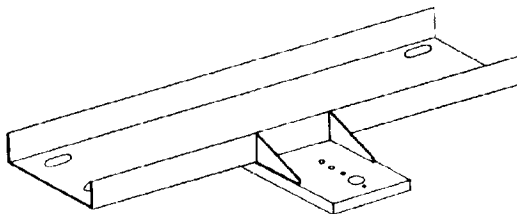
Top View of Conversion Bracket Assembly



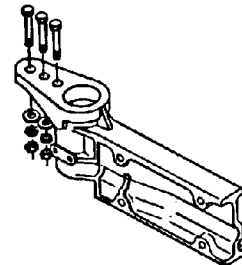
Install brass shear bolts in holes as instructed below. Gate arm length is measured from the centerline of the signal mast.

- 0 - 18' Gate Arms - Holes 2 and 3
- 19' - 28' Gate Arms - Holes 1 and 2
- Over 29' Gate Arms - Holes 1, 2 and 3

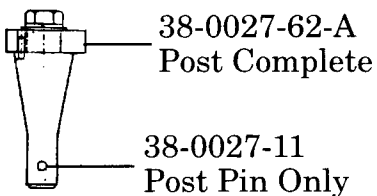
38-0027-600 Complete as Shown



38-0027-60 Conversion Bracket



38-0026-251-2 Cast Adaptor
38-0027-13 Brass Shear Bolts



38-0027-62-A
Post Complete

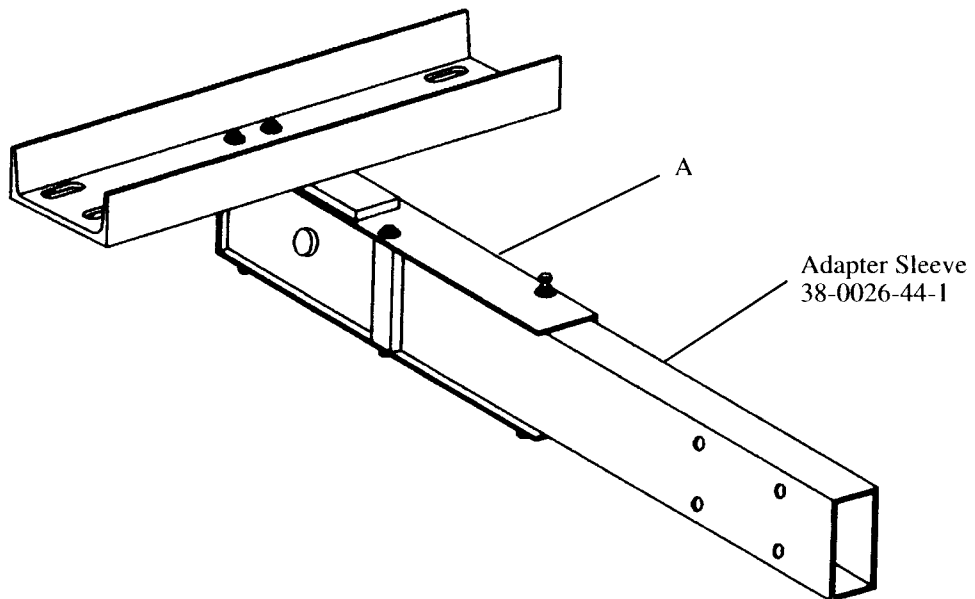
38-0027-11
Post Pin Only

WESTERN-CULLEN-HAYES, INC.

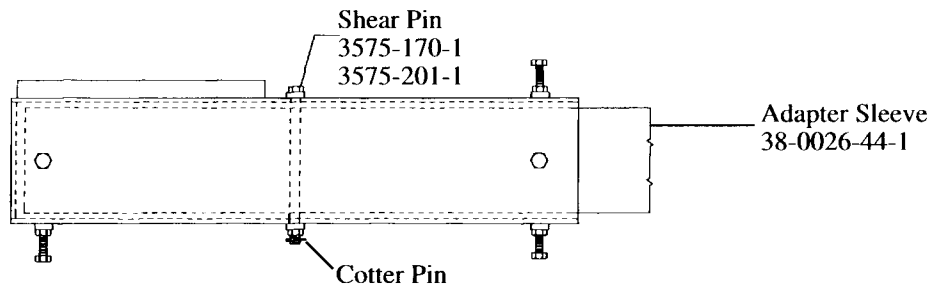
2700 W. 36TH PLACE
(773) 254-9600

CHICAGO, IL. 60632
FAX (773) 254-1110

Channel Type Breakaway Adapter



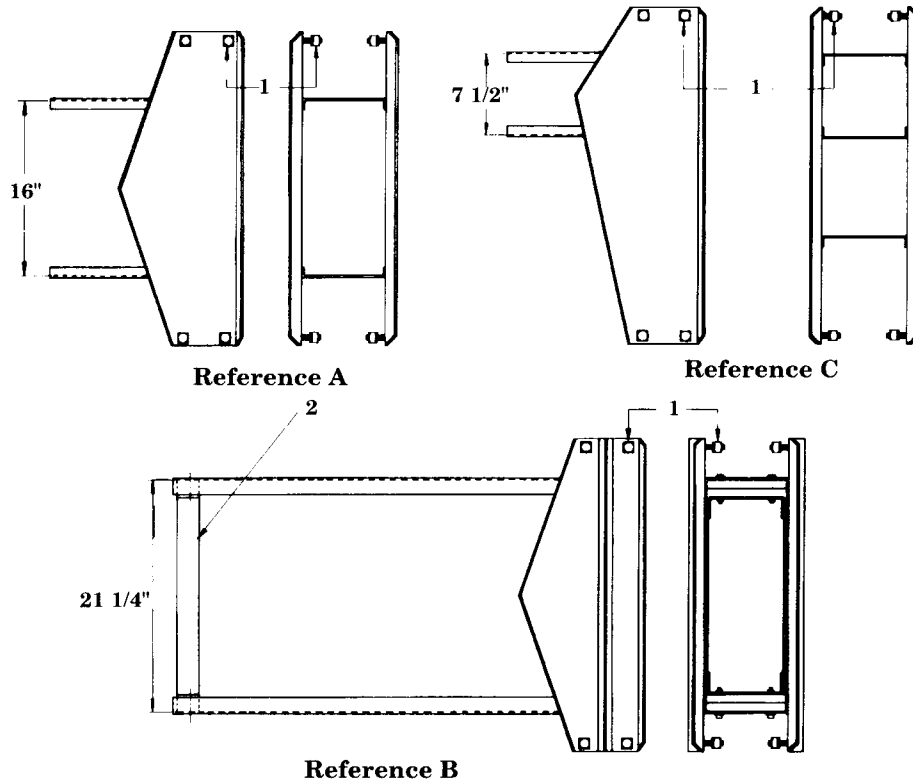
Ref. No.	Description	Part No.
A	Adapter complete, for fiberglass arm.	3575-177
B	Adapter, complete, for aluminum arm less adapter sleeve. (Not shown)	3575-250



**Back View of Adapter
3575-185 Complete**

Insert shear pin; #3575-170-1 for 0-26' gate arms or #3575-201-1 for gate arms over 26', or in high wind areas.

Gate Arm Adapters For Model 10 Signals Types 3565-105, 3565-105X, 3565-205



Reference	Description	Part No.
A	Gate arm adapter for use with wooden roadway arms 14' to 38' long inclusive. (Includes item 1)	3565-105
B	Same as reference A, but for use with wooden roadway arms 39' to 44' long inclusive. (Includes items 1, 2, and shipping blocks)	3565-105-X
C	Same as reference A, but for use with wooden sidewalk arms 18' long or less. (Includes item 1)	3565-205
Replacement Parts		
1	Mach. bolt, 1/2"-13 x 1-3/4" hex head square nut and lockwasher	3565-116
2	Inner brace	3565-113

WESTERN-CULLEN-HAYES, INC.

2700 W. 36TH PLACE CHICAGO, IL. 60632
(773) 254-9600 FAX (773) 254-1110