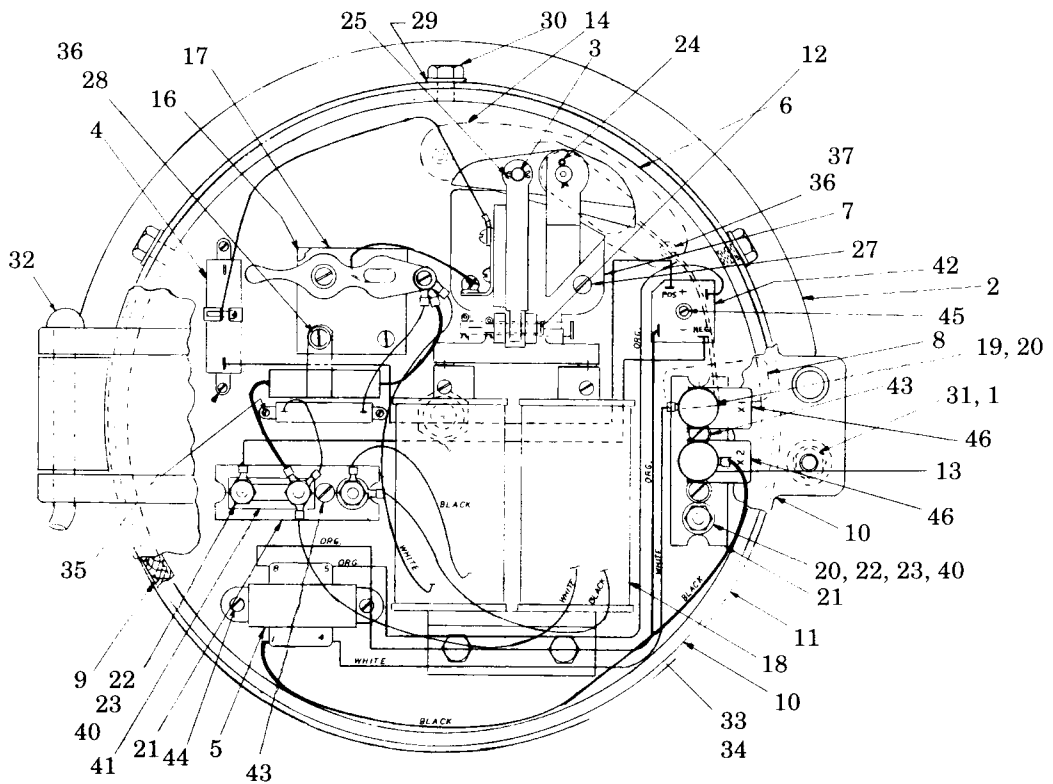


## Model 0666 115 VAC Warning Bell



Ref.	Description	Part Number
1	Push Nut	970-45
2	Rain Shield	1208-CA
3	1/4" X 1 1/4" Clevis Pin	1209-16
4	Resistor Sub-Assembly	1210-42-1
5	Transformer Assembly 0666 Bell	37-1050-41-5
6	Gong	1211
7	Movement Base Sub-Assembly	1215*
*	Movement Base Sub-Assembly	1209-1
*	Armature & Pins Sub-Assembly	1209-2
*	Operating Link	1209-4
*	1/4" x 2" Clevis Pin	1209-17
*	Contact Arm	1210-5
8	Oscillator & Hammer Sub-Assembly	1215-1**
**	Oscillator	1209-11
**	Hammer & Reinforcement Spring	1210-17

**WESTERN-CULLEN-HAYES, INC.**

2700 W. 36TH PLACE      CHICAGO, IL. 60632  
(773) 254-9600                      FAX (773) 254-1110

**Model 0666 115 VAC Parts List - Continued**

Ref.	Description	Part Number
9	Packing Strip for Cover	1217-2
10	Bell Cover	1219-2-M
11	Case	1220-3
12	3/16" X 1" Clevis Pin	1209-15
13	Insulating Cap Black	R-2000-1
14	Dust Guard-Felt	1248-15-1
16	Contact Block Insulator	1249-16-1
17	Contact Block Sub-Assembly	1249-26-1
18	Coil & Core Assembly	1249-30
19	Insulating Cap Red	R-2000-1-R
20	Insulating Sleeve 1-1/2" Lg	R-2000-2-B
21	Terminal Strip	2508-69-3
22	Washer	10708
23	Binding Nut	10706
24	1/16" X 1/2" Cotter Pin	VV-00-AZ-3-005
25	1/16" X 3/8" Cotter Pin	VV-00-AZ-3-0037
27	1/4"-20 X 7/8" Filister Screw	AA-16-EE-3-0087
28	10-32 X 1" Filister Screw	AA-16-DD-3-01
29	.328" Brass Washer	PP-00-AK-8
30	5/16"-18 X 3/4" Hex Bolt	BB-12-GG-3-0062
31	5/16"-18 X 1" Hex Bolt	BB-12-GG-3-01
32	3/8" X 3-1/2" Rivet	1249-40
33	1/2"-13 X 7/8" Hex Screw	BB-12-PP-3-0087
34	1/2" Split Lockwasher	RR-00-AP-3
35	#6-32 X 1/4" Round Head Screw	AA-10-AA-3-0025
36	#10 Steel Washer	PP-00-AH-3
37	#10-32 X 1/4" Round Head Screw	AA-10-DD-3-0025
38	Cable Ties	MC-126-00027
39	#8-32 X 3/4" Round Head Screw	AA-10-BB-3-0075
40	Clamp Nut	10707
41	Shunting Plate	7323-2
42	Bridge Rectifier	1210-45
43	1/4-20 X 3/4" Filister Screw	AA-16-EE-3-0075
44	#8-32 X 1/4" Mach Screw	AA-10-BB-3-0025
45	#8-32 X 1/2" Mach Screw	AA-10-BB-3-005
46	White Marking Tag	16222-W