

## DeLectric® Motorized Derail Operator

- Improve safety
- Reduce on-going cost of Blue Flag/OSHA law compliance
- Reduce potential for damage to overhead doors and freight car loading areas
- One and one-half second throw speed improves switching crew efficiency
- Can be used with any Western-Cullen-Hayes sliding derail
- Available for 24 volts DC or 115 volts AC operation
- Power off locking feature

The Western-Cullen-Hayes DeLectric® Operator with a Model HB or KA Derail provides dependable, motor driven protection for personnel working on, about, or in freight cars or locomotives. Because the DeLectric® is motorized, derails can be applied or removed from a remote location with just the push of a button.

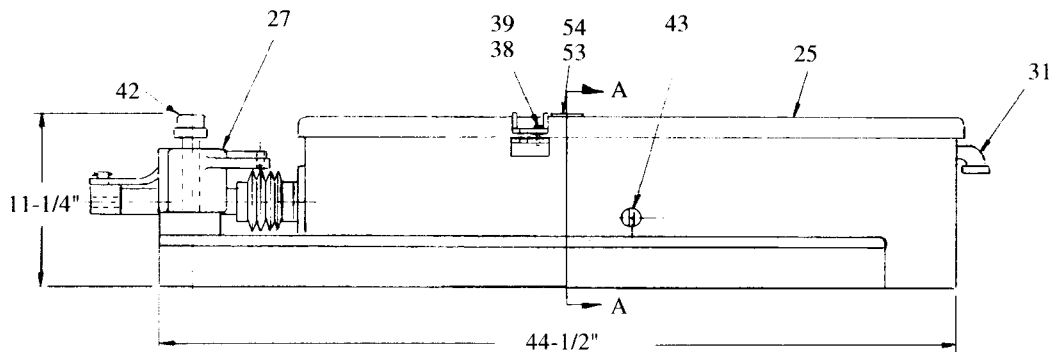
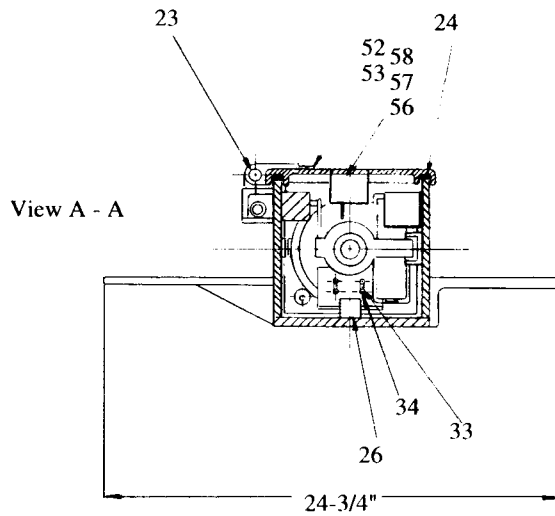
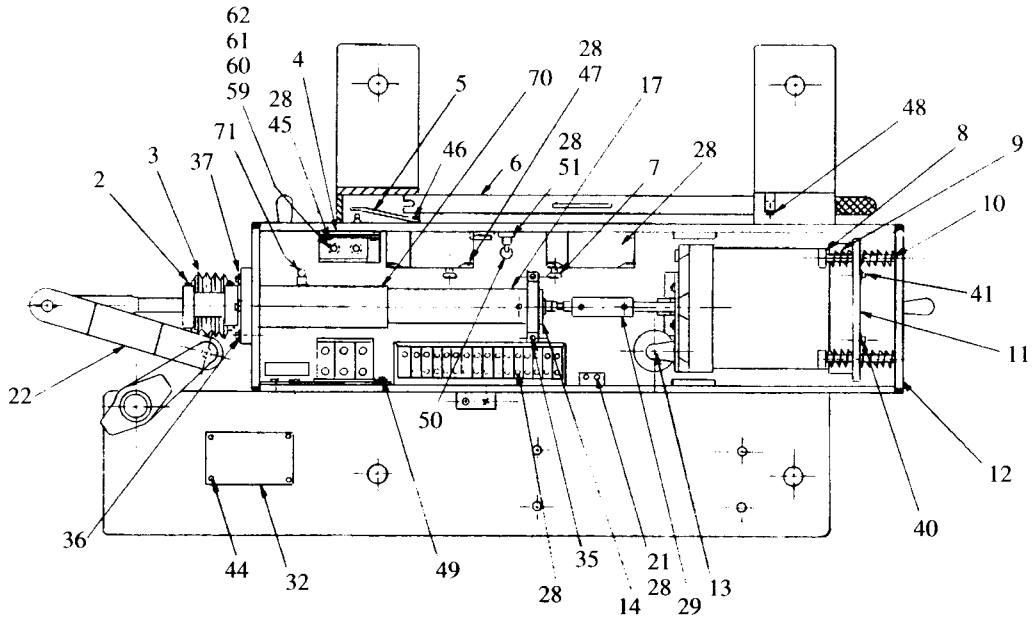
DeLectrics® can be interlocked with plant rail doors, locomotive fueling stations, railcar loading or unloading equipment so that the derail cannot be removed while the interlocked appliance is operating or the door is closed.

A variety of accessories are available to complete the DeLectric® Derail System; target mounts and electric switch lamps, colored light trainman's signals, automatic mechanical blue flags, and wheel crowdors, warning bells and beacon lights.

Western-Cullen-Hayes manufactures a wide selection of control panels to operate DeLectrics®; please consult our engineering department with your particular needs.



## DeLectric® Motorized Derail Operator



## 401-00-01 DeLectric Operator 115 VAC Unit Parts List

Ref.	Description	Part No.	Ref.	Description	Part No.
2	Hose Clamp	400-03-00	34	1/4" Lockwasher	RR-00-AJ-3
3	Protector Boot	400-04-00	35	1/4"-20 X 1" Socket Head Cap Screw	BB-15-EE-3-01
4	Handle Switch Mount	400-08-00	36	5/16"-24 X 7/8" 12 Point Head Bolt	400-21-60
5	Handle Switch Button Shield	400-09-00	37	5/16" Plain Washer	PP-00-AK-3
6	Emergency Throw Lever	400-11-00	38	5/16" Pushnut	AT-00-AK-3
7	Lever Arm	400-13-01	39	5/16"-18 X 5/8" Hex Head Screw	AA-12-GG-3-0062
8	Shoulder Bolt	400-16-00	40	3/8"-16 X 3/4" Hex Head Screw	AA-12-JJ-3-0075
9	Front Buffer Spring	400-17-00	41	3/8" Split Lockwasher	RR-00-AM-3
10	Rear Buffer Spring	400-18-00	42	Pipe Cap	MC-126-00049
11	Motor Mounting Plate	400-20-00	43	1" N.P.T. Plug	1182-C
12	Case Assembly	400-21-41	44	#6 X 1/4" Drive Screw	AS-10-AF-3-0025
13	Starting Capacitor	400-24-00	45	10-32 X 1/2" Socket Head Screw	BB-15-DD-3-005
14	Guide Clamp	400-25-22	46	10-32 X 1/4" Round Head Screw	AA-10-DD-3-0025
17	Tube Assembly	400-25-16	47	10-32 X 1 3/4" Socket Head Screw	BB-15-DD-3-0175
21	15 Amp Fuse	400-35-05	48	10-32 X 1/4" Hex Socket Head Set Screw	DD-48-DD-3-0025
22	Offset Link Assy	400-37-04	49	10-32 X 3/8" Socket Head Cap Screw	BB-15-DD-3-0037
23	Cover Pin	400-38-00	50	Lamp 110V-10W	1832-51
24	Weatherstrip	400-39-00	51	6-32 X 1/2" Round Head Machine Screw	AA-10-AA-3-005
25	Cover Assembly	400-43-06	52	Window	416-17-00
26	Front Motor Support Assembly	400-48-00	53	6-32 X 3/8" Theft Proof Mach Screw	AA-41-AA-3-0037
27	Emergency Throw Lever Arm	400-58-01	54	Warning Label Delectric	5612-56
28	Wiring Harness Parts (Page 21)	401-01-00	56	Power off Lock Assembly 115V	401-60-00
29	Drive Assembly (Page 21)	401-50-19		Solenoid Only 115V	401-60-04
31	Ventilator Assembly	1143-16-A		Micro Switch Only	401-60-07
32	Delectric Operator Nameplate	5612-38	57	1/4"-20 X 1/2" Socket Head Cap Screw	BB-15-EE-3-005
33	1/4"-20 X 5/8" Socket Cap Screw	BB-15-EE-3-0062	58	1/4" Lockwasher	RR-00-AJ-3
			59	6-32 X 2" Round Head Machine Screw	AA-10-AA-8-02
			60	#6 Washer	PP-00-AF-8
			61	#6 Lockwasher	RR-00-AF-3
			62	6/32" Hex Nut	JJ-12-AA-8
			70	Tube Mount Assembly	416-09-00
			71	Grease Fitting 45 Degree	5200

**Consult W-C-H for 24 VDC and obsolete 230 VAC parts.**

**WESTERN-CULLEN-HAYES, INC.**

2700 W. 36th Place  
(773) 254-9600

Chicago, Il. 60632  
FAX (773) 254-1110



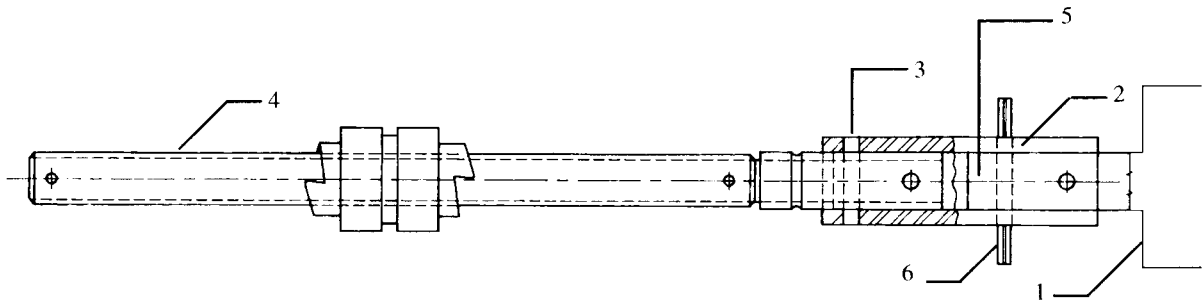
**WESTERN-CULLEN-HAYES, INC.**

120 N. 3rd Street, P.O. Box 756, Richmond, Indiana 47374  
(765) 962-0526 FAX (765) 966-5374

## 401-01-00 Wiring Harness Parts

Description	Part No.
Resistive Heater	38-0045-286
Handle Limit Switch	400-06-00
Travel Limit Switch	400-14-03
Limit Switch Insulated Bushing	50-0806
Terminal Block	50-0154
Terminal Block End	50-0155
Terminal Track	50-0157
Terminal Clamp	50-0156
Control Relay Mounting Plate	400-28-00
Overload Relay	50-0954-F
Overload Relay Heater Element	50-0955-F
250 Volt Fuse Block	50-0276
Reversing Contactor	401-30-00
Lamp Socket	90809

## 401-50-19 Drive Assembly



Ref.	Description	Part No.
1	115 Volt Motor (Not Shown)	400-23-00
2	Coupling	401-50-22
3	Roll Pin	400-25-08
4	Roton Screw Assembly	400-25-09
5	Spacer Roton Screw	401-50-21
6	3/16" Dia. x 2" Roll Pin	400-25-08-1

**WESTERN-CULLEN-HAYES, INC.**

2700 W. 36th Place  
(773) 254-9600

Chicago, Il. 60632  
FAX (773) 254-1110



**WESTERN-CULLEN-HAYES, INC.**

120 N. 3rd Street, P.O. Box 756, Richmond, Indiana 47374  
(765) 962-0526

FAX (765) 966-5374